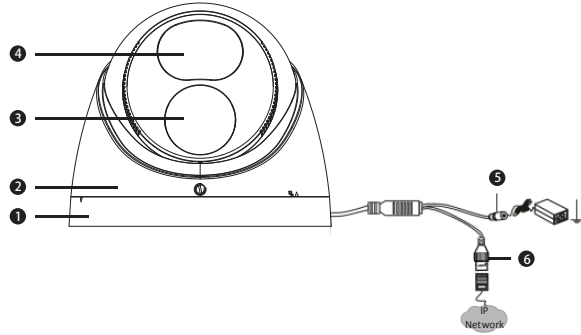


# Smart Turret Network Camera

## Quick Installation Guide

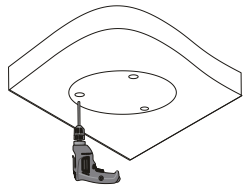
The appearance and tail cable may vary with device model.



1. Base plate	2. Housing
3. Lens	4. Infrared LED
5. Power interface(12V DC)	6. Ethernet interface

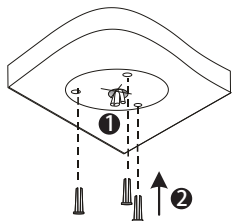
### Installation

1. Attach the sticker to ceiling, and then drill 30-mm deep guide holes using a drill bit (6mm or 6.5mm in diameter) according to the sticker.

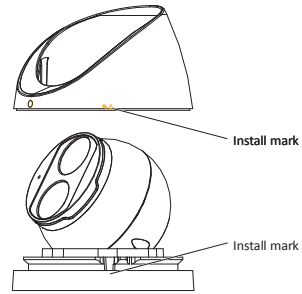


2. Insert the plastic anchors.

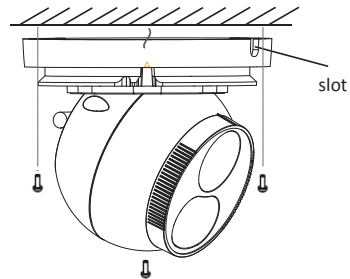
- (1) Drill a hole to lead cables out of the ceiling.
- (2) Knock in plugs.



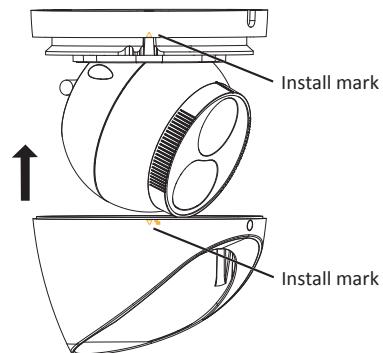
3. Detach the housing from the base plate with the marks aligned.



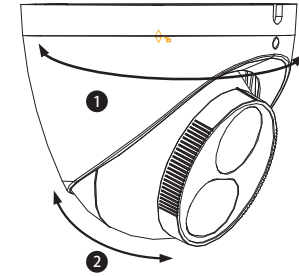
4. Install the base plate and the camera. Connect cable and protect it with waterproof tape and attach dome to ceiling with taping screws.



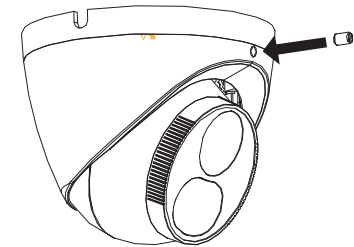
5. Mount your camera. Mount the housing with install mark aligned.



6. Adjust the monitoring direction. Rotate the camera to desired monitoring direction.



7. Tighten the screws.



The above steps are for concealed installation. For an open installation, lead the cables from the open slot on the base plate.

#### NOTE!

When you adopt open installation, make sure that the cables can be led out through the open slot on the base plate and screw the dome to the wall as shown in step 3.